

**TABLE 3
AVAILABLE OPTIONS**

Ø 1/2" O.D. SWEAT CONNECTION	☒
Ø 1/2" FEMALE NPT CONNECTION	☐
Ø 1/2" MALE NPT CONNECTION	☐

TABLE 1

REF.	DIAMETER	AVAILABLE LOCATIONS
4" ROUND	4.00"	SIDE OR TOP
6" ROUND	6.00"	SIDE OR TOP
8" ROUND	8.00"	TOP ONLY
8" ELLIPTICAL	9.38" X 6.43"	SIDE OR TOP
10" ROUND	10.00"	TOP ONLY

TABLE 2

NOMINAL UNIT LENGTH (ft)	UNIT LENGTH (in)	OVERALL LENGTH (in)	COIL VOLUME (gl)	DRY WEIGHT (lb)	WET WEIGHT (lb)
2	23.75	26.00	0.29	43	45
3	35.75	38.00	0.43	61	65

- NOTES:**
- DRAWING INDICATES "C" AND "E" AIR AND "C" COIL CONNECTION HANDINGS (REFER TO MODEL HANDING CONFIGURATION KEY FOR AVAILABLE OPTIONS)
 - STANDARD DRAIN CONNECTION HANDING IS SAME AS COIL CONNECTION.
 - FACE COLOR WILL BE STANDARD WHITE UNLESS SPECIFIED OTHERWISE.

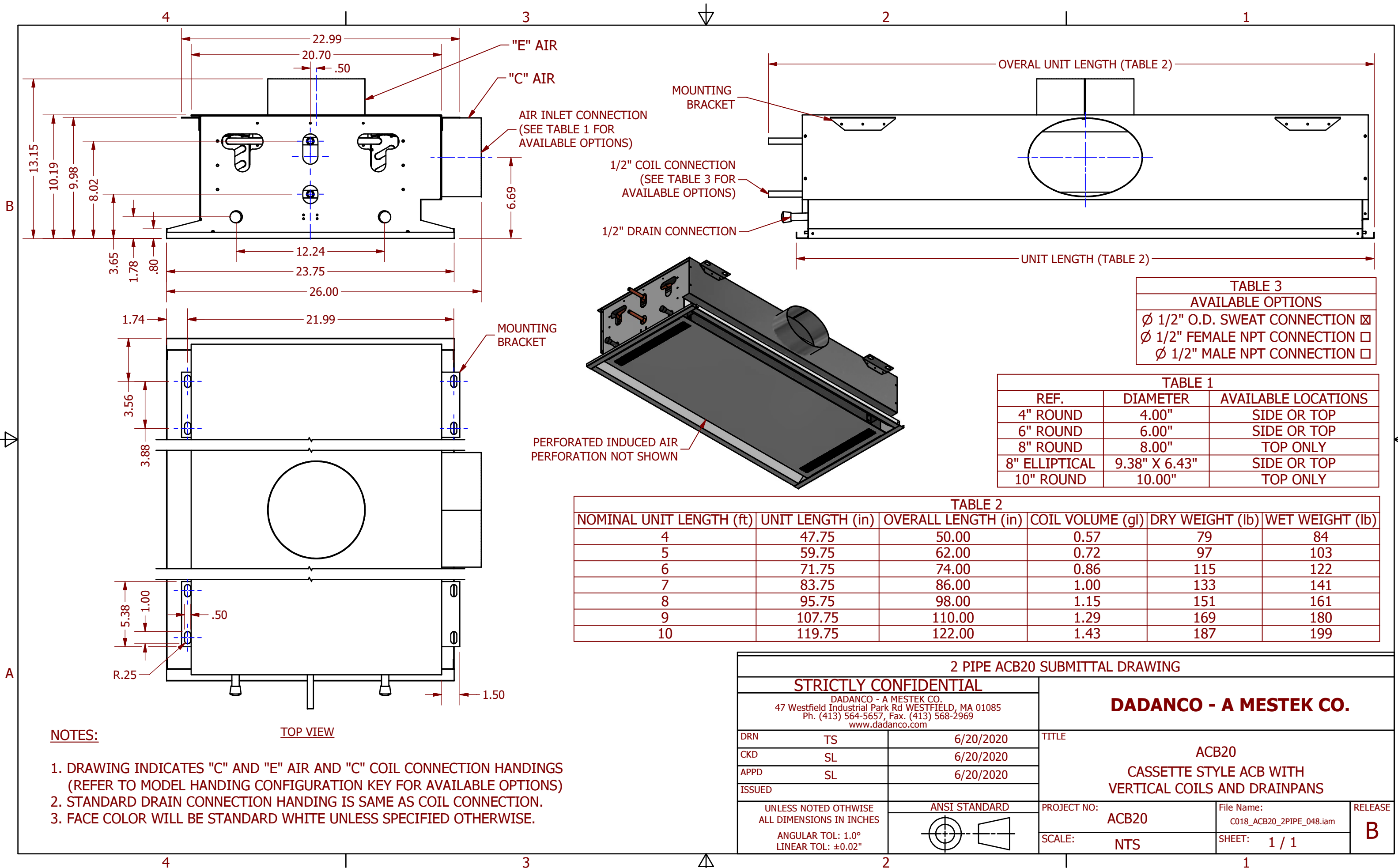
2 PIPE ACB20 SUBMITTAL DRAWING

STRICTLY CONFIDENTIAL

DADANCO - A MESTEK CO.
47 Westfield Industrial Park Rd WESTFIELD, MA 01085
Ph. (413) 564-5657, Fax. (413) 568-2969
www.dadanco.com

DADANCO - A MESTEK CO.

DRN	TS	6/20/20	TITLE		
CKD	SL	6/20/20	ACB20 CASSETTE STYLE ACB WITH VERTICAL COILS AND DRAINPANS		
APPD	SL	6/20/20			
ISSUED			PROJECT NO:	ACB20	File Name: C018_ACB20_2Pipe_024.iam
UNLESS NOTED OTHERWISE ALL DIMENSIONS IN INCHES		ANSI STANDARD	SCALE:	NTS	SHEET: 1 / 1
ANGULAR TOL: 1.0° LINEAR TOL: ±0.02"					RELEASE B



**TABLE 3
AVAILABLE OPTIONS**

Ø 1/2" O.D. SWEAT CONNECTION	☒
Ø 1/2" FEMALE NPT CONNECTION	☐
Ø 1/2" MALE NPT CONNECTION	☐

TABLE 1

REF.	DIAMETER	AVAILABLE LOCATIONS
4" ROUND	4.00"	SIDE OR TOP
6" ROUND	6.00"	SIDE OR TOP
8" ROUND	8.00"	TOP ONLY
8" ELLIPTICAL	9.38" X 6.43"	SIDE OR TOP
10" ROUND	10.00"	TOP ONLY

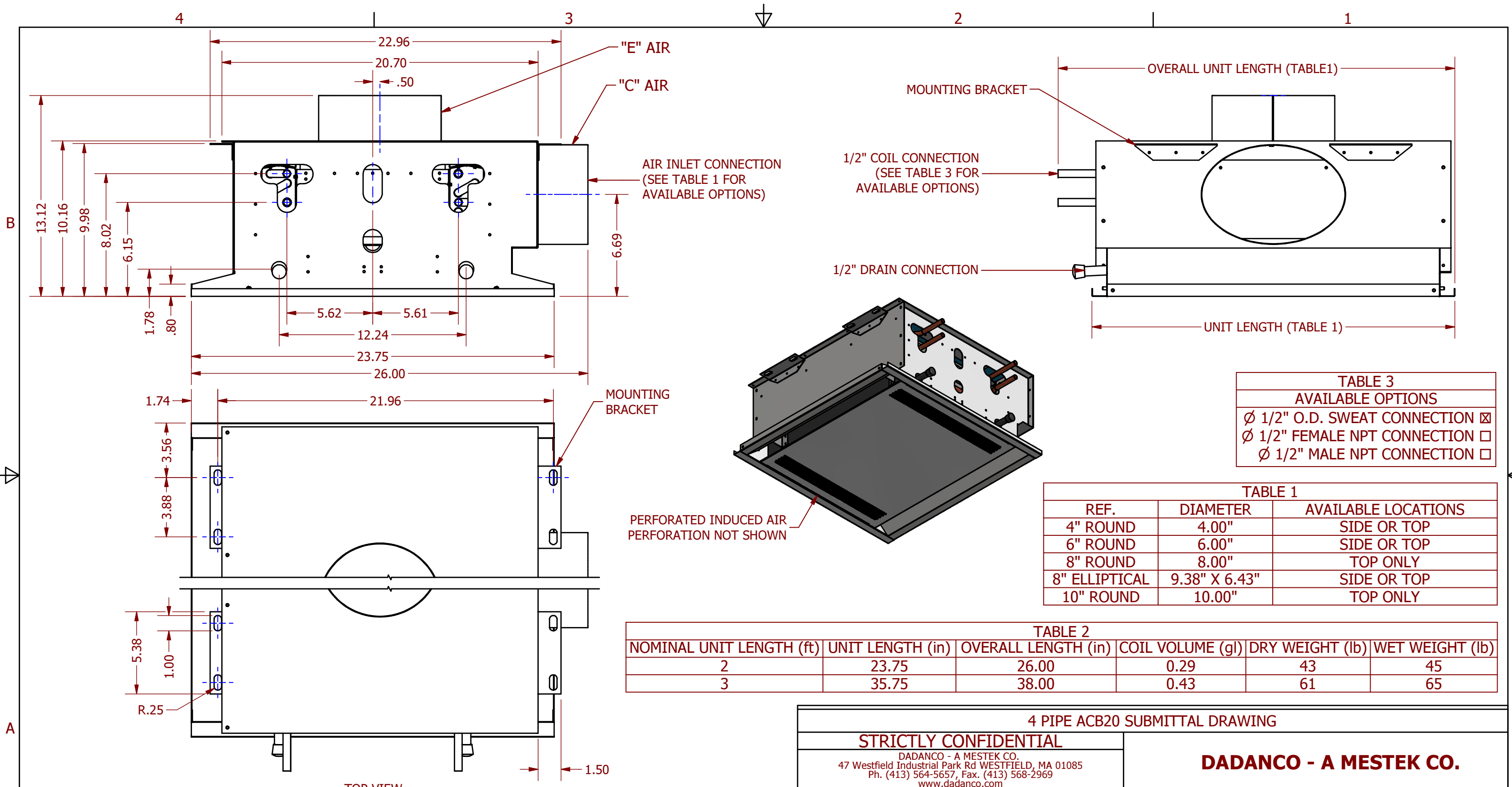
TABLE 2

NOMINAL UNIT LENGTH (ft)	UNIT LENGTH (in)	OVERALL LENGTH (in)	COIL VOLUME (gl)	DRY WEIGHT (lb)	WET WEIGHT (lb)
4	47.75	50.00	0.57	79	84
5	59.75	62.00	0.72	97	103
6	71.75	74.00	0.86	115	122
7	83.75	86.00	1.00	133	141
8	95.75	98.00	1.15	151	161
9	107.75	110.00	1.29	169	180
10	119.75	122.00	1.43	187	199

- NOTES:**
- DRAWING INDICATES "C" AND "E" AIR AND "C" COIL CONNECTION HANDINGS (REFER TO MODEL HANDING CONFIGURATION KEY FOR AVAILABLE OPTIONS)
 - STANDARD DRAIN CONNECTION HANDING IS SAME AS COIL CONNECTION.
 - FACE COLOR WILL BE STANDARD WHITE UNLESS SPECIFIED OTHERWISE.

2 PIPE ACB20 SUBMITTAL DRAWING

STRICTLY CONFIDENTIAL			DADANCO - A MESTEK CO.		
DADANCO - A MESTEK CO. 47 Westfield Industrial Park Rd WESTFIELD, MA 01085 Ph. (413) 564-5657, Fax. (413) 568-2969 www.dadanco.com			ACB20 CASSETTE STYLE ACB WITH VERTICAL COILS AND DRAINPANS		
DRN	TS	6/20/2020	TITLE		
CKD	SL	6/20/2020			
APPD	SL	6/20/2020			
ISSUED			PROJECT NO:	ACB20	File Name: C018_ACB20_2PIPE_048.iam
UNLESS NOTED OTHERWISE ALL DIMENSIONS IN INCHES		ANSI STANDARD	SCALE:	NTS	SHEET: 1 / 1
ANGULAR TOL: 1.0° LINEAR TOL: ±0.02"					B



**TABLE 3
AVAILABLE OPTIONS**

Ø 1/2" O.D. SWEAT CONNECTION	<input checked="" type="checkbox"/>
Ø 1/2" FEMALE NPT CONNECTION	<input type="checkbox"/>
Ø 1/2" MALE NPT CONNECTION	<input type="checkbox"/>

TABLE 1

REF.	DIAMETER	AVAILABLE LOCATIONS
4" ROUND	4.00"	SIDE OR TOP
6" ROUND	6.00"	SIDE OR TOP
8" ROUND	8.00"	TOP ONLY
8" ELLIPTICAL	9.38" X 6.43"	SIDE OR TOP
10" ROUND	10.00"	TOP ONLY

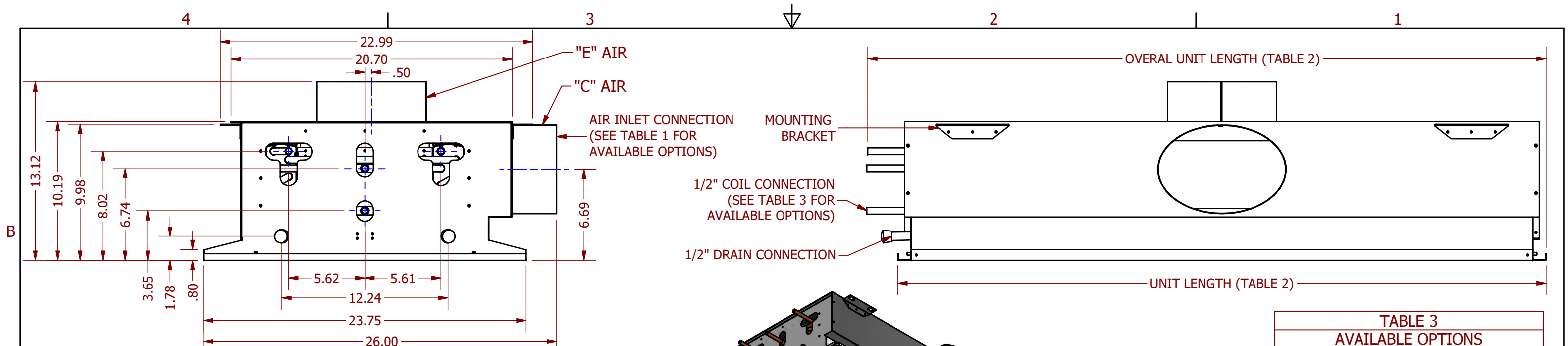
TABLE 2

NOMINAL UNIT LENGTH (ft)	UNIT LENGTH (in)	OVERALL LENGTH (in)	COIL VOLUME (gl)	DRY WEIGHT (lb)	WET WEIGHT (lb)
2	23.75	26.00	0.29	43	45
3	35.75	38.00	0.43	61	65

- NOTES:**
- DRAWING INDICATES "C" AND "E" AIR AND "C" COIL CONNECTION HANDINGS (REFER TO MODEL HANDING CONFIGURATION KEY FOR AVAILABLE OPTIONS)
 - STANDARD DRAIN CONNECTION HANDING IS SAME AS COIL CONNECTION.
 - FACE COLOR WILL BE STANDARD WHITE UNLESS SPECIFIED OTHERWISE.

4 PIPE ACB20 SUBMITTAL DRAWING

STRICTLY CONFIDENTIAL		DADANCO - A MESTEK CO.	
DADANCO - A MESTEK CO. 47 Westfield Industrial Park Rd WESTFIELD, MA 01085 Ph. (413) 564-5657, Fax. (413) 568-2969 www.dadanco.com		ACB20 CASSETTE STYLE ACB WITH VERTICAL COILS AND DRAINPANS	
DRN	TS	6/20/20	TITLE
CKD	SL	6/20/20	
APPD	SL	6/20/20	
ISSUED			
UNLESS NOTED OTHERWISE ALL DIMENSIONS IN INCHES		ANSI STANDARD	PROJECT NO: ACB20
ANGULAR TOL: 1.0° LINEAR TOL: ±0.02"			File Name: C018_ACB20_4Pipe_024.iam
		SCALE: NTS	RELEASE B
			SHEET: 1 / 1



**TABLE 3
AVAILABLE OPTIONS**

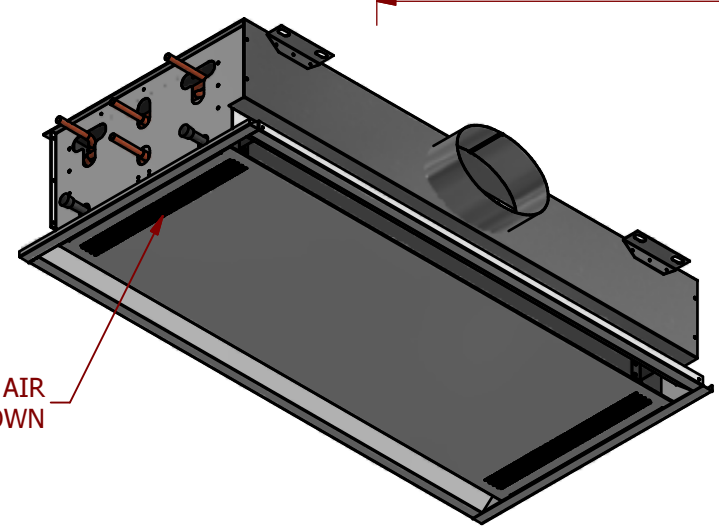
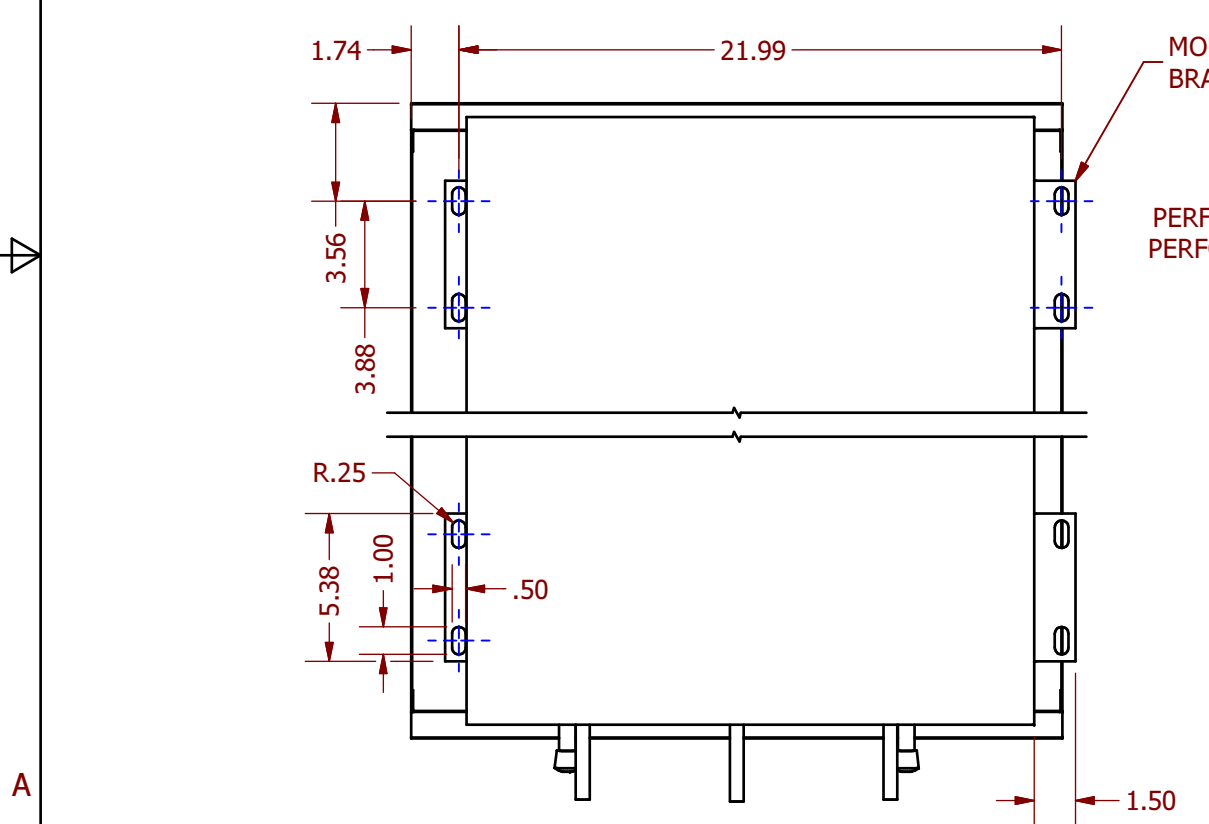
Ø 1/2" O.D. SWEAT CONNECTION	<input checked="" type="checkbox"/>
Ø 1/2" FEMALE NPT CONNECTION	<input type="checkbox"/>
Ø 1/2" MALE NPT CONNECTION	<input type="checkbox"/>

**TABLE 1
AVAILABLE LOCATIONS**

REF.	DIAMETER	AVAILABLE LOCATIONS
4" ROUND	4.00"	SIDE OR TOP
6" ROUND	6.00"	SIDE OR TOP
8" ROUND	8.00"	TOP ONLY
8" ELLIPTICAL	9.38" X 6.43"	SIDE OR TOP
10" ROUND	10.00"	TOP ONLY

TABLE 2

NOMINAL UNIT LENGTH (ft)	UNIT LENGTH (in)	OVERALL LENGTH (in)	COIL VOLUME (gl)	DRY WEIGHT (lb)	WET WEIGHT (lb)
4	47.75	50.00	0.57	79	84
5	59.75	62.00	0.72	97	103
6	71.75	74.00	0.86	115	122
7	83.75	86.00	1.00	133	141
8	95.75	98.00	1.15	151	161
9	107.75	110.00	1.29	169	180
10	119.75	122.00	1.43	187	199



- NOTES:**
- DRAWING INDICATES "C" AND "E" AIR AND "C" COIL CONNECTION HANDINGS (REFER TO MODEL HANDING CONFIGURATION KEY FOR AVAILABLE OPTIONS)
 - FACE COLOR WILL BE STANDARD WHITE UNLESS SPECIFIED OTHERWISE.
 - STANDARD DRAIN CONNECTION HANDING IS SAME AS COIL CONNECTION.

4 PIPE ACB20 SUBMITTAL DRAWING

STRICTLY CONFIDENTIAL		DADANCO - A MESTEK CO.	
DADANCO - A MESTEK CO. 47 Westfield Industrial Park Rd WESTFIELD, MA 01085 Ph. (413) 564-5657, Fax. (413) 568-2969 www.dadanco.com		ACB20 CASSETTE STYLE ACB WITH VERTICAL COILS AND DRAINPANS	
DRN	TS	6/20/2020	TITLE
CKD	SL	6/20/2020	
APPD	SL	6/20/2020	
ISSUED			
UNLESS NOTED OTHERWISE ALL DIMENSIONS IN INCHES		ANSI STANDARD	PROJECT NO: ACB20
ANGULAR TOL: 1.0° LINEAR TOL: ±0.02"			File Name: C018_ACB20_4PIPE_048.iam
		SCALE: NTS	RELEASE B
			SHEET: 1 / 1